

<b>Project</b>		<b>Catalog #</b>		<b>Type</b>	
<b>Prepared by</b>		<b>Notes</b>		<b>Date</b>	

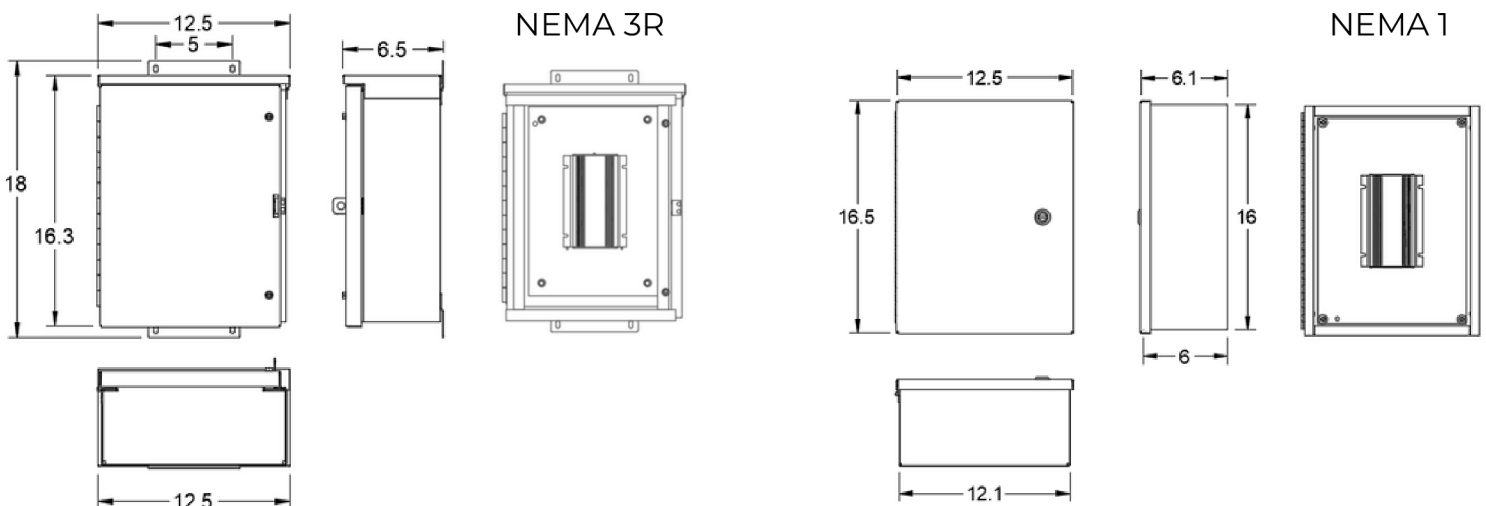


## NTP Server Panel

### Product Features

- Plug & play solution provides accurate time source for lighting controls and building automation systems
- Automatic timekeeping solution ensures all time clocks stay accurate
- No need for maintenance to reset time clocks due to drift over time
- Receives time information from GPS satellites, no internet connection necessary
- Direct 120VAC or PoE powered
- Exceptional time precision of under 5 milliseconds
- All components UL listed

### Dimensional Details



Order Information

Family	Type	Function	NEMA	Generation	Power Source
<b>CTRL</b>	<b>PNL</b>	<b>TMSRV</b>	<b>NEMA 1</b> = Indoor <b>NEMA3R</b> = Outdoor	<b>300</b> = 3rd Generation	<b>PoE</b> =PoE Powered <b>120V</b> = 120 VAC
<b>Notes</b>					

Product Specifications

- Enclosure
  - NEMA 3R or NEMA 1
  - UL listed UL-50 Type 3R complies with NEMA Type 3R and IEC 60529 IP24
  - 16 x 12 x 6 inches (HxWxD) nominal
  - Surface or channel mountable
  - Galvanized steel, powder coated finish, ANSI 61 gray
  - Hinged screw cover with padlock hasp and staple
  - RAL9003 white powder coat 12-gauge steel subpanel
- NTP Server
  - NTP V2 (RFC 1119), NTP V3 (RFC 1305), NTP V4 (RFC 5905)
  - SNTP V3 SNTP V3(RFC 1769), SNTP V4 (RFC 2030), SNTP V4 (RFC 4330)
  - Server Time Precision: Better than 5mS + network jitter
  - 10M/100M Auto Sensing Network Interface
  - Compliant with FCC Part 15B, CE Marked for radiated emissions, and lead free
  - Commercial Temperature Range, -40 to 85C, 0-95% Humidity Non-Condensing
  - Networking: Static or DHCP IPv4 Addressing
  - Connections: Power, Cat5 Ethernet, Serial, and GPS antenna via SMA connection
  - Indications Power, GPS Signal Lock, 1PPS
- Power Supply
  - PoE or direct AC powered
  - PoE powered version:
    - RJ45 splitter provides power and data to system
    - 12VDC 2A output
  - AC powered version:
    - 120V input, 12VDC 15W output power supply included
    - Terminal blocks provided for AC supply wiring
    - 5A supplementary protector included

